



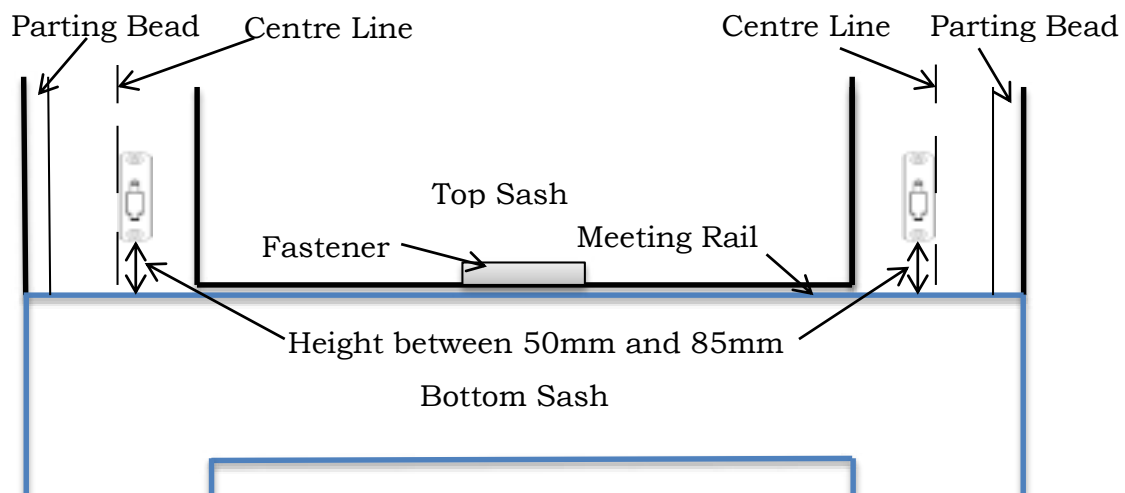
Weekes Sash Stops

Features

- These instructions have been supplied as a guide only and we cannot take any responsibility for problems which may arise during the fitting of the Weekes Sash Stop.
- Available in Brass, Chrome and Satin Chrome finishes



Fitting Instructions



Installation of the product

Make sure the window is in the locked position, mark on both vertical stiles on the top sash, slightly in from the centre line, depending on the width of the Parting Bead, so the Weekes sash stop looks central on the stile.

The position of the sash stop can be placed between 50mm and 85mm depending on how much opening you require the bottom sash to open for ventilation purposes.

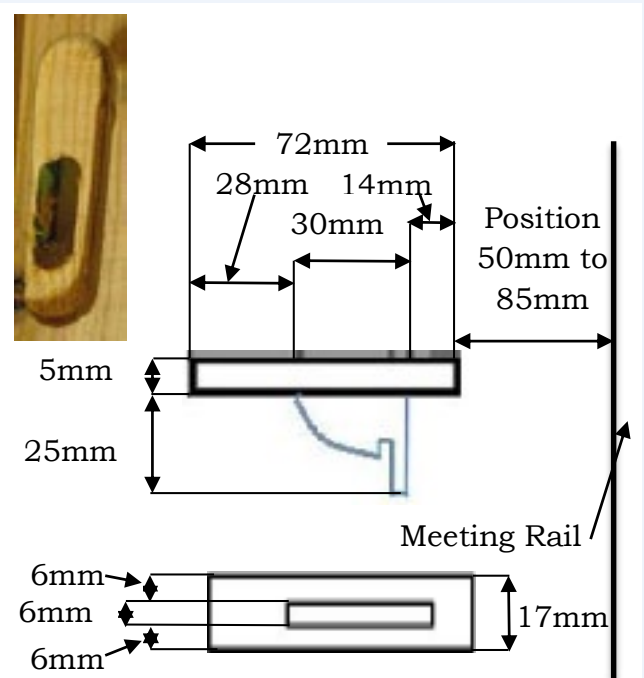
Once you have decided the position of the sash stop (making sure both stops are the exact height as each other from the meeting rail).

Draw round the product and cut a recess 5mm deep for the product to sit in (as left), making sure the product fits tightly into the recess.

Cut out a groove (as left) 30mm High x 6mm wide x an additional 25mm depth, making sure the stopper will rotate from the open to closed position without catching.

Fit the stop into the recess and fix to the wood through the screw holes making sure you pre drill a pilot hole through first.

Due to the nature of the manufacturing process, a tolerance of + / - 5% must be allowed on the weight and dimensions of this product.





Weekes Sash Stops

OVERVIEW

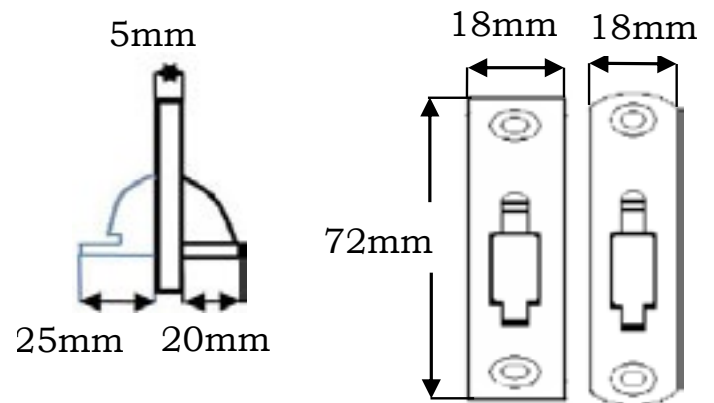
Hardware Details

Code	End	Finish	Swatch
WEEKEPB	Square	Brass	(Br)
WEEKEPBR	Round	Brass	(Br)
WEEKECH	Square	Chrome	(CHR)
WEEKECHR	Round	Chrome	(CHR)
WEEKESC	Square	Satin Chrome	(SC)
WEEKESCR	Round	Satin Chrome	(SC)

Material Specification

Body | Manufactured from Brass

DIMENSIONS



Height = 72mm High x 18mm Wide x 5mm Deep.

Due to the nature of the manufacturing process, a tolerance of + / - 5% must be allowed on the weight and dimensions of this product.